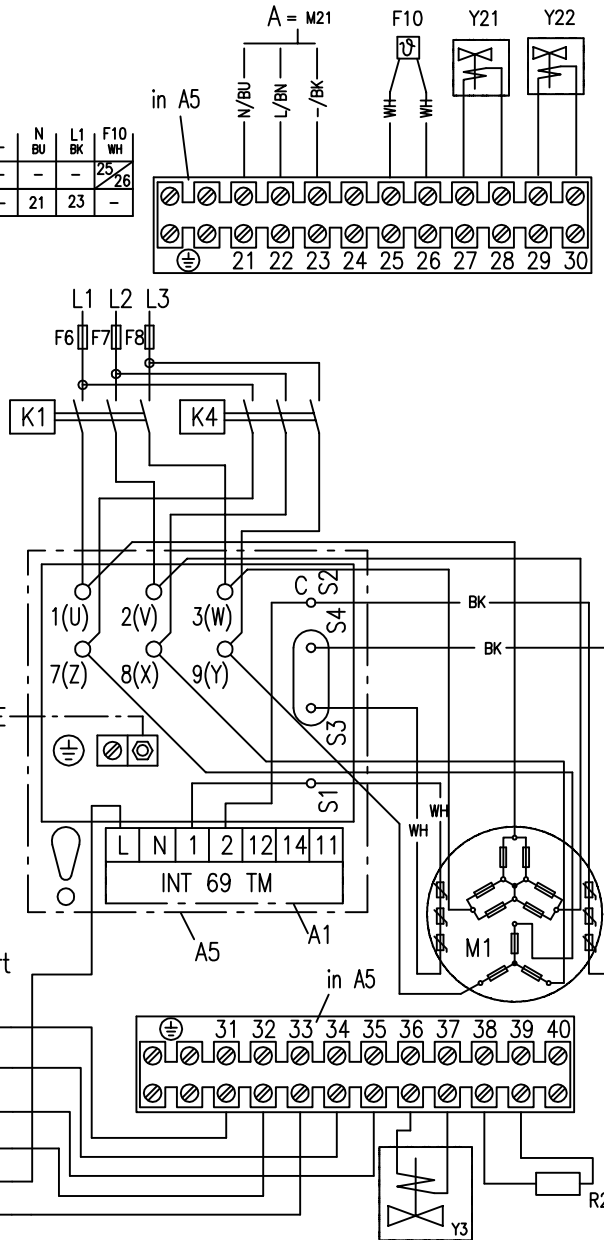
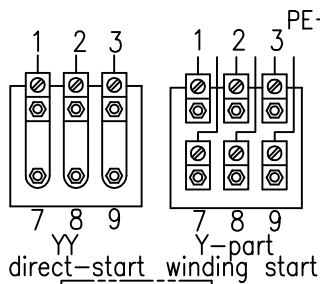
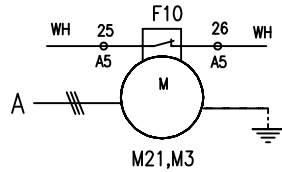


D4, D6, D8 Compressors direct or Y – part winding start (AWM/D, AWR, AWY, AWC, AWX)

Fans
THERMOPROTECTED (F10)

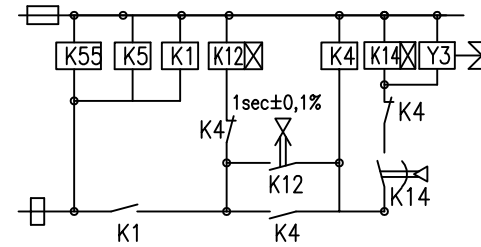
A5	N	L	-	-	-	N	L1	F10
M21	21	22	23	-	-	21	23	25/26
M3	-	-	-	-	-	-	-	-

Y 400V±15%/3~/50;60HZ
500V±15%/3~/50HZ
Δ 230V±15%/3~/50;60HZ
230V±15%/1~/50;60HZ

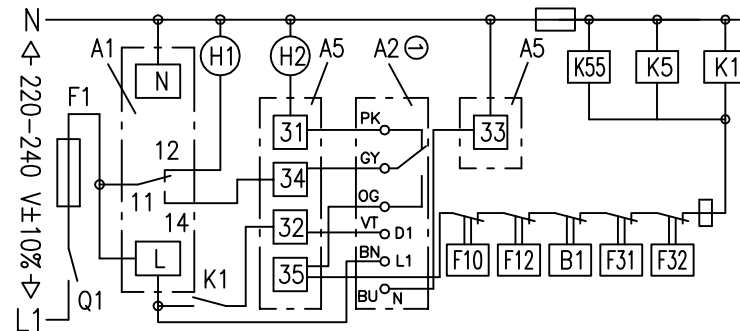


recommended control circuit

Y-part winding start



direct start



Attention !

Compressor equipped with protection by thermistors
Connect thermistors only at terminals 1+2 of module A1.
Do not apply mains voltage. See wiring diagram.
Max. thermistor test voltage 3V.
Cold resistance of thermistors ≤ 750 Ω