

SINGLE-PHASE SCROLL COMPRESSOR START ASSIST COMPONENTS

1 Starting components are not normally required

Due to the inherent design of the Copeland® Scroll, the internal compression components start unloaded, **even if system pressures are not balanced**. Since the compressor internal pressures are balanced at start-up, low voltage starting characteristics are excellent, and starting components **are not normally required**.

2 Weak power supplies

When weak power supply is encountered, starting current on **any** compressor may result in a significant “sag” in voltage that reduces the starting torque of the compressor and increases the start time. This could influence the rest of the electrical system in the building by lowering, for a period of 300 to 400 milliseconds, the voltage to the lights etc. This momentary low voltage, **caused by inadequate power supplies**, could cause "light dimming". In addition supply lines pulled through hard conduits could experience a “buzzing” during this period of high inrush current.

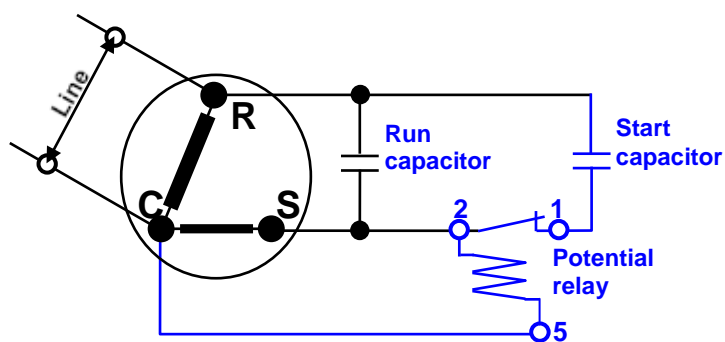
3 Approved start components for Scroll compressors

The approved start components listed below will substantially reduce the compressor start time, and the magnitude plus duration of both dimming lights and conduit buzzing.

4 Start kits: start capacitor and potential relay

Start capacitors are used on compressors where system designs require **high starting torque**.

Compressor model	Start kit = start capacitor & relay	Start capacitor			Potential relay			
	Part no.	µFD	Volts	Part no.	Pick-up volts	Drop-out volts	Coil voltage	Part no.
ZR18K*E to ZR48K3E PFJ	8541078	88 - 108	330	8562346	170 - 180	40 - 96	332	8556665
ZRD42KCE								
ZP23 to 41K3E PFJ								
ZP16 to 54KSE PFZ								
ZPD42KSE PFZ, ZPD54KSE PFZ								
ZB15 to 29KCE PFJ								
ZBD21 to 29KCE PFJ								
ZH12K4E PFZ								
ZH15 to 26K4E PFJ								
ZH09KVE PFZ								
ZH04 to 12K1P PFZ								
ZHI11K1P PFZ								
ZH13KVE PFJ	On request	175 - 216	330	8562664				
ZR61KCE PFZ	8560760	270 - 324	330	8556541	320 - 340	60-135	452	8560759
ZB30 to 38KCE PFJ								
ZH38K4E PFZ	8542526				320 - 340	60 - 160	502	8556654
ZB42KCE PFJ								
ZH30K4E PFJ								

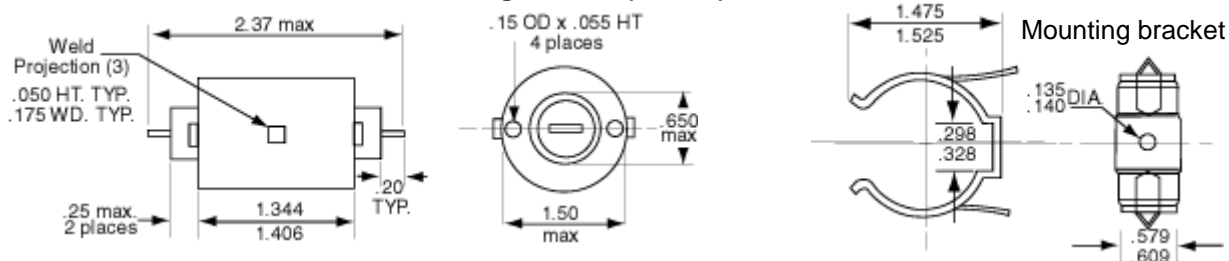


The potential relay places the start capacitor in series with the start winding. It senses the voltage developed across the start winding (C-S). It is designed to pick up, open its contacts and disconnect the start capacitor from the start winding, when sufficient voltage is generated. The relay will open when the motor has started and is approaching normal running speed.

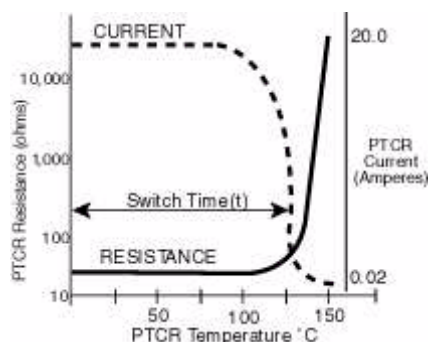
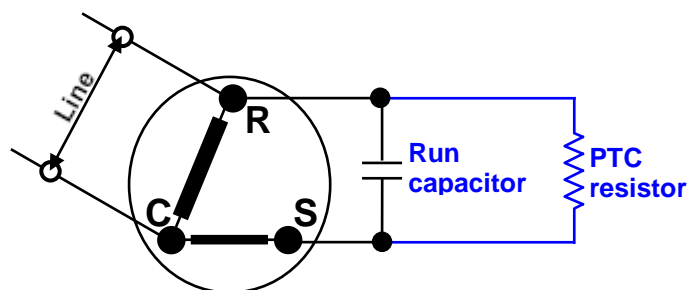
5 PTC start components

For less severe voltage drops or for use with a compressor that hesitates on start, solid state Positive Temperature Coefficient resistance rated at 25 Ohms (P/N 8400057 including the mounting bracket) may be used to facilitate the starting process for any of the compressors listed above.

Dimensions of the PTC and its mounting bracket (inches)

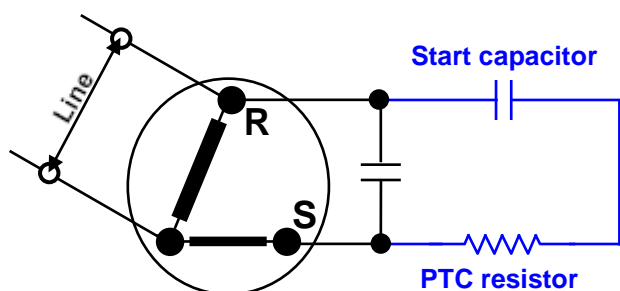


The PTC resistor is connected in parallel with the run capacitor.



6 PTC start components + start capacitor

If it is found that the compressor fails to start with the PTC device, a start capacitor (as specified above) may be fitted in series with the PTC device.



7 CSS-255 Smart Starter from Alco Controls

The CSS Smart Starter from Alco is released by Emerson Climate Technologies to be used with the single-phase Copeland Scroll compressors in order to limit the starting current of single-phase compressors.

Click on the following link to find more information about the Alco CSS-255 Smart Starter: http://www.emersonclimate.com/europe/ProductDocuments/AlcoLiterature/EN_CSS%20TB.pdf.

Appendix: Run capacitors

Run capacitors are not included in the start kit, they can be ordered separately. Only run capacitors supplied by Emerson Climate Technologies should be used.

Compressor model				Run capacitor		
				µFD	Volts	Part no.
ZR18K5E PFJ				30	370 V	8557191
ZR18K4E PFJ			ZH12K4E PFZ	35	475 V	8540575
ZR22K3E PFJ	ZP24KSE PFZ	ZB15KCE PFJ	ZH04K1P PFZ	40	475 V	8540586
			ZH05K1P PFZ			
			ZH105K1P PFZ			
			ZH15K4E PFJ			
			ZH06K1P PFZ	45	440 V	8557146
			ZH30K4E PFJ			
ZR28K3E PFJ		ZB19KCE PFJ	ZH19K4E PFJ	45	475 V	8540597
ZR61KCE PFZ		ZB42KCE PFJ	ZH38K4E PFZ	50	440 V	8557157
ZR34K3E PFJ		ZB21KCE PFJ	ZH21K4E PFJ	50	475 V	8540600
ZR40K3E PFJ				55	475 V	8540611
		ZB30KCE PFJ	ZH26K4E PFJ	60	440 V	8557179
ZR48K3E PFJ	ZP29KSE PFZ	ZB26KCE PFJ	ZH09KVE PFZ	60	475 V	8540622
	ZP31KSE PFZ					
ZRD42KCE PFJ	ZPD34KSE PFZ	ZBD21KCE PFJ	ZH13KVE PFJ			
ZRD48KCE PFZ	ZP36KSE PFZ		ZH09K1P PFZ	80	370 V	8557180
	ZP42KSE PFZ		ZH12K1P PFZ			
	ZPD42KSE PFZ		ZHI08K1P PFZ			
	ZPD54KSE PFZ		ZHI11K1P PFZ			
	ZP54KSE PFZ	ZB38KCE PFJ		80	440 V	8402508
	ZPD61KCE PFZ					