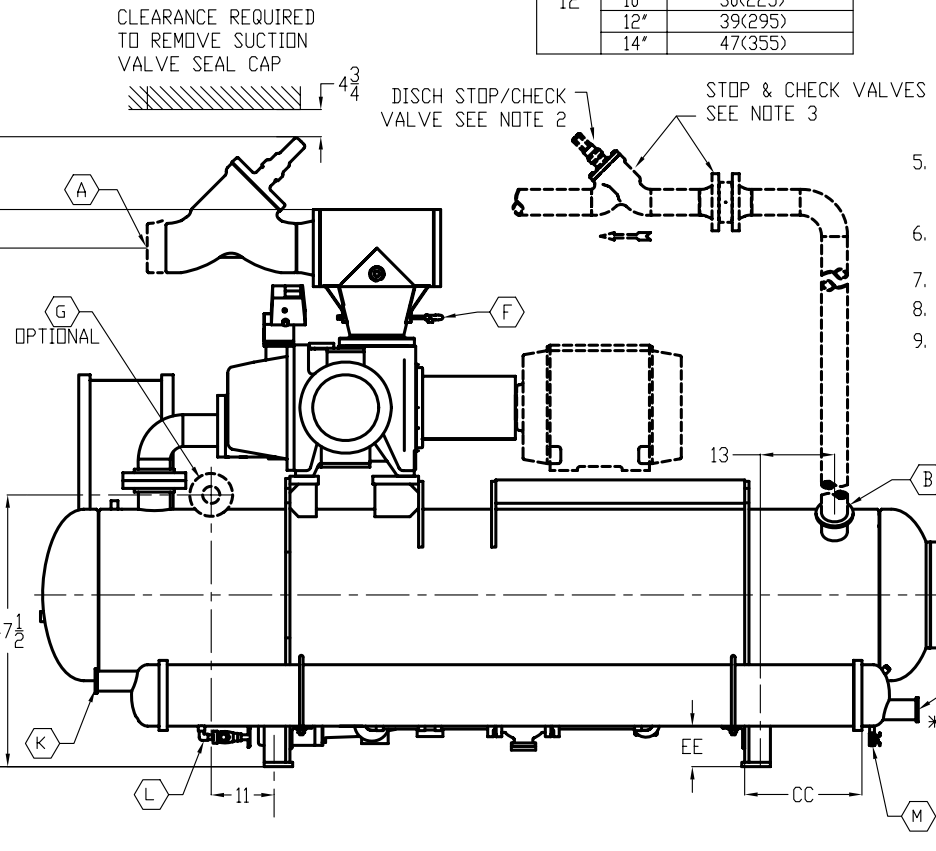
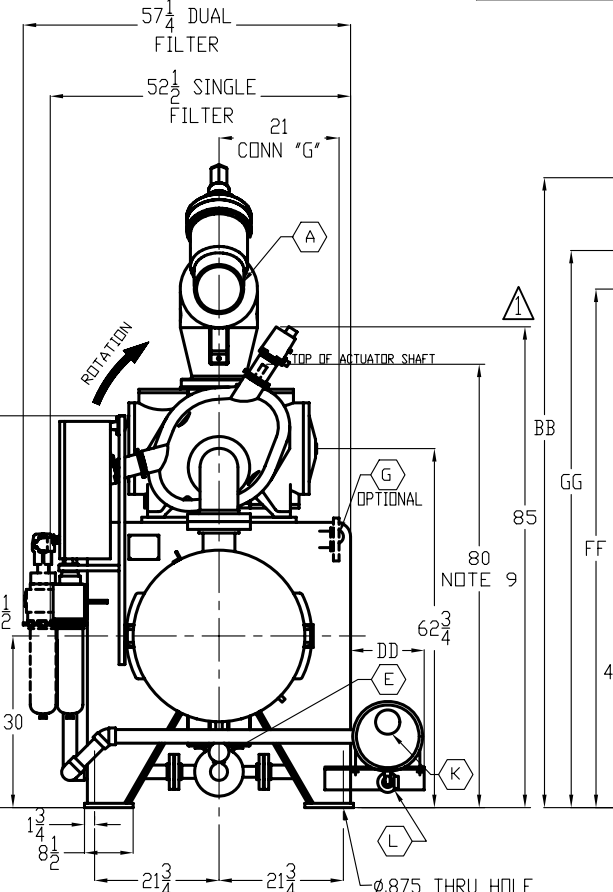
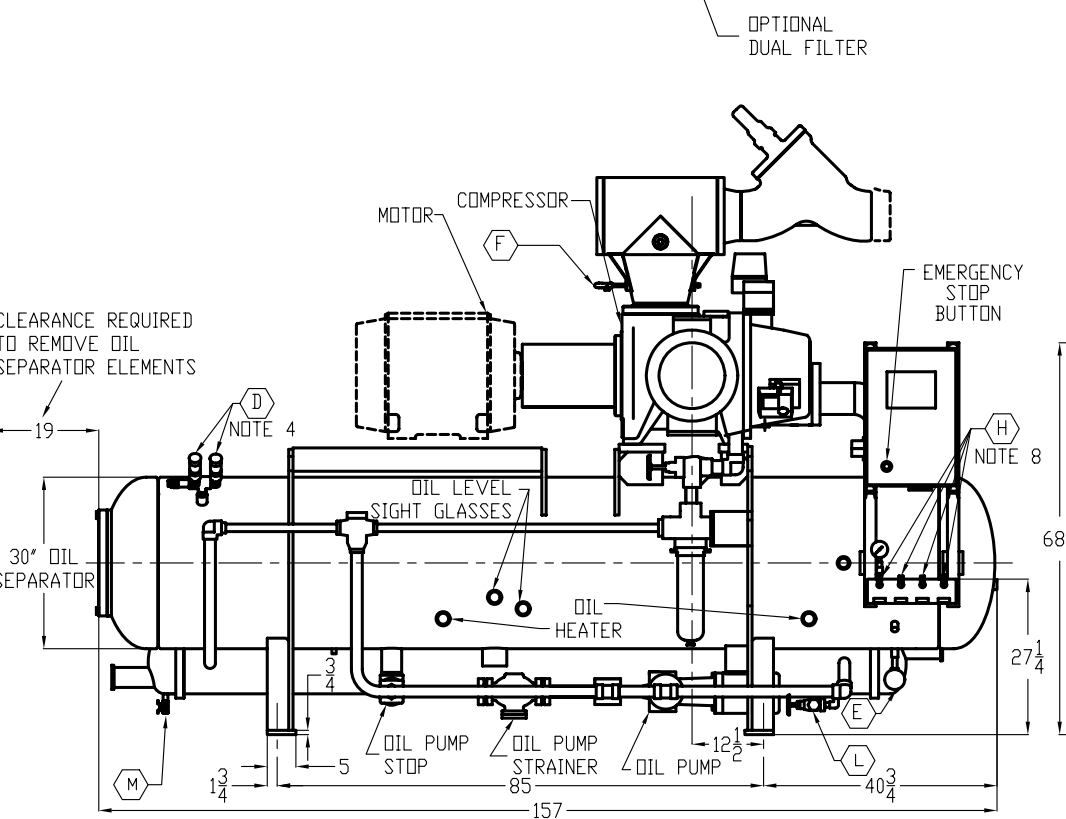


OIL CHARGE		US GALS. (LBS)	
SINGLE FILTER	DOUBLE FILTER	76(570)	84(630)
OIL CHARGE ADDERS			
OIL COOLER ADDERS			
LONG	DIA.	OIL CHARGE U.S. GALS (LBS)	
10'	6"	9(70)	
	8"	17(130)	
	10"	25(190)	
	12"	32(240)	
12'	6"	11(85)	
	8"	20(150)	
	12"	30(225)	
	14"	39(295)	

- NOTES
- ALL DIMENSIONS ARE IN INCHES.
 - A DISCHARGE STOP/CHECK VALVE TO BE SHIPPED LOOSE. MOUNT AS CLOSE TO CONDENSER AS POSSIBLE. IN A HORIZONTAL LINE, VALVE STEM MUST BE IN THE VERTICAL POSITION AS SHOWN. VALVES SIZED PER CONDITIONS.
 - SEPARATE DISCHARGE STOP & CHECK VALVES ARE OPTIONAL AND SHIPPED LOOSE.
 - DUAL RELIEF VALVE TO BE SHIPPED LOOSE. FOR AMMONIA: VALVE IS SET AT 250 PSIG. IT HAS 1/2" INLET X 1" OUTLET CONNECTIONS RATED FOR 57.7 LBS AIR/MIN. FOR R-22: VALVE IS SET AT 300 PSIG. IT HAS 1 1/4" INLET X 1 1/2" OUTLET CONNECTIONS RATED FOR 138.1 LBS AIR/MIN. FOR R-507: VALVE IS SET AT 300 PSIG. IT HAS 1 1/4" INLET X 1 1/2" OUTLET CONNECTIONS RATED FOR 160.2 LBS AIR/MIN. FOR R-134a: VALVE IS SET AT 300 PSIG. IT HAS 1" INLET X 1 1/4" OUTLET CONNECTIONS RATED FOR 101.6 LBS AIR/MIN.



- DASHED MOTOR (FRAME 444 TSC) IS SHOWN FOR REFERENCE ONLY. SEE TABLE 5 AND MOTOR DATA SHEET FOR DETAILS.
- FLANGE BOLT HOLES STRADDLE CENTERLINES UNLESS OTHERWISE NOTED.
- ALL PRESSURE GAUGES WILL SHIP LOOSE.
- SOME DETAILS HAVE BEEN REMOVED FOR CLARITY.
- SHIPPING HEIGHT WITHOUT ACTUATOR. REMOVAL OF ACTUATOR SHAFT RESULTS IN A TWO INCH REDUCTION OF HEIGHT.

*THIS DRAWING IS SUITABLE FOR COUNTER-CLOCKWISE 310mm VSS COMPRESSOR VSS 1051 AND 1201 Ø 30.0 OIL SEPARATOR HIGH STAGE, BOOSTER, OR SWING OIL HEAT EXCH - THERMOSYPHON ECON-D-MIZER (STD OR OVERSIZE CONNECTIONS) SINGLE OR DUAL FILTERS

SHIPPING WEIGHT (ADD EACH TABLE FOR ESTIMATED SHIPPING WEIGHT)

TABLE 1	TABLE 2	TABLE 3
SEPARATOR, SUCTION, PIPING & LT (LBS)	COMPRESSOR SIZE WEIGHT (LBS)	OPTIONAL DUAL FILTERS +75 LBS
5" 4550	VSS-1051 2020	
6" 4660	VSS-1201 2250	

TABLE 4	TABLE 5
OIL COOLING	NEMA FRAMES TYPICAL MOTORS
COOLER LENGTH COOLER SIZE Ø WEIGHT LBS	FRAME (DDP) WEIGHT (LBS) FRAME (DDP) WEIGHT (LBS)
10' 6" 550	254T 260 365TS 780
8" 770	256T 270 404TS 900
10" 1050	284T 360 405TS 975
12" 1600	286T 400 444TS 1300
14" 1850	324TS 480 445TS 1475
12' 6" 630	326TS 540 447TS 1770
8" 890	364TS 725 449TS 2135
10" 1210	
12" 1850	
14" 2100	

CHART A (REFER TO ORDER COPY FOR LINE SIZE)

SUCTION LINE SIZE	STD ARRANGEMENT COMBINED STOP/CHK VALVE	AMM.	HALO
5"	AA	12.1	12.5
6"	AA	10.1	11.6
	OPTL ARRANGEMENT SEPARATE STOP & CHK VALVES		
5"	AA	16.1	23.6
6"	AA	14.1	23.6
	FOR BOTH STD OPT ARRANGEMENT		
5"	BB FF GG	104.0 88.25 94.5	
6"	BB FF GG	106.5 88.25 94.5	

CHART B (REFER TO ORDER COPY FOR COOLER SIZE)

OIL COOLER DIA	DD	EE	REFRIG. INLET/OUTLET
6"	8.1	9.2	1.5
8"	10.1	8.2	2.5
10"	12.4	7.1	3
12"	14.4	6.1	3
14"	15.6	5.5	4
			OIL COOLER LENGTH CC
			10' 20.25
			12' 26.75

CONNECTION SCHEDULE			
I.D.	SIZE	CONNECTION	FUNCTION
A	SEE CHART A	BUTT WELD (SCH. 40)	SUCTION INLET
B	5.00	BUTT WELD (SCH. 40)	DISCHARGE OUTLET
D	.500-14	IPT	PRESSURE RELIEF SEE NOTE 4
E	.500-14	IPT	OIL DRAIN & CHARGER WHEN UNIT NOT RUNNING
F	.250-18	IPT	OIL CHARGER WHEN UNIT IS RUNNING
G	2.00-300#	ANSI FLANGE	STANDARD ECON-D-MIZER INLET
	3.00-300#	ANSI FLANGE	OVERSIZE ECON-D-MIZER INLET
H	.250-18	IPT	TRANSDUCER BLOCK/BLEED
J	SEE CHART B	BUTT WELD (SCH. 40)	REFRIG INLET
K	SEE CHART B	BUTT WELD (SCH. 40)	REFRIG OUTLET
L	.500-14	IPT	HEAT EXCHANGER OIL DRAIN (SHELL SIDE)
M	.500-14	IPT	HEAT EXCHANGER OIL DRAIN (TUBE SIDE)

CONFIDENTIAL PROPERTY OF **VILTER** Since 1867

VILTER MANUFACTURING CORPORATION
CUDAHY, WISCONSIN 53110-8904
TELEPHONE No. (414) 744-0111

DRAWN BY: RPT CHECKED BY: DWP SCALE: NTS
REDRAWN BY: APPROVED BY: RPK DATE: 1/6/05

TITLE: GEN DIMENSIONS 310mm VSS-1051 AND 1201 W/Ø 30.0 SEPARATOR
FOR: THERMOSYPHON - SHELL & TUBE

27759-3 R2

REVISION: CORRECTED SINGLE & DUAL FILTER OIL CHARGES ECN: S050369 RPT RPK 12/28/05
ADDED SEVERAL SHIPPING HEIGHTS & NOTE 9. ECN: S050293 JDS RPK 10/4/05
ECN: S040286 RPT RPK 1/6/05