

The AMI is designed to provide an accurate method of determining the moisture content of a system's refrigerant. The AMI has a unique high accuracy moisture indicator for CFC, HCFC and HFC refrigerants. For the AMI-2 Series, see the bottom of the following page.

Features

- Highest sensitivity moisture indicator available
- Take-Apart design for easy repair
- Single indicator for all common refrigerants
- Accurate color calibration at low ppm levels and higher temperatures
- Wide angle viewing/high visibility window for ease of monitoring
- Solid copper connections



Specifications

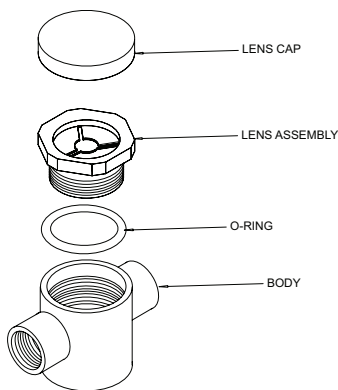
- Maximum working pressure: 650 psig
- UL/CUL file number: SA 9566

Nomenclature example: AMI 1SS4

| AMI | 1 | SS | 4 |
|---------------------------|---|--|------------------------------|
| Moisture Indicator Series | Design Series 1 = standard connection 2 = bushing style | Connection Style TT = Sweat x Sweat | Connection Size (in 1/8") |

Replacement Parts For AMI

| PCN | Part | Number |
|--------|---|----------|
| 021371 | Lenscap | 12740-1 |
| 020877 | "O" Ring | PS1525-2 |
| 027511 | Lens Assembly Kit (Consists of lens assembly, lens cap and "O" ring) | X12978-1 |



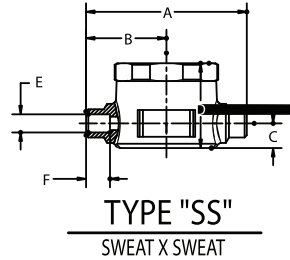
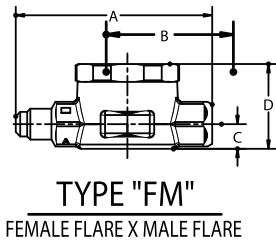
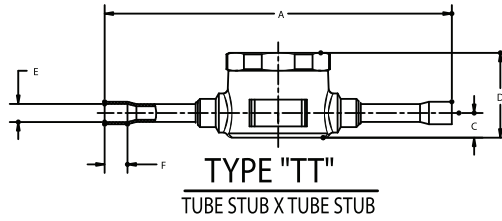
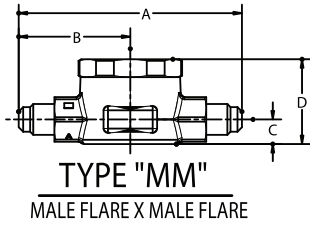
Ordering Information

| PCN | Description | Series | Connection Size |
|--------|------------------------|---------------------------|-----------------|
| 048803 | AMI-1MM2 | Male Flare x Male Flare | 1/4 |
| 048804 | AMI-1MM3 | | 3/8 |
| 048805 | AMI-1MM4 | | 1/2 |
| 048806 | AMI-1MM5 | | 5/8 |
| 048811 | AMI-1SS2 | | 1/4 |
| 048812 | AMI-1SS3 | Sweat x Sweat (OD Female) | 3/8 |
| 048813 | AMI-1SS4 | | 1/2 |
| 048814 | AMI-1SS5 | | 5/8 |
| 048815 | AMI-1SS7 | | 7/8 |
| 048816 | AMI-1SS9 | | 1 1/8 |
| 047298 | AMI-1TT2 EXTENDED ENDS | | 1/4 |
| 042771 | AMI-1TT3 EXTENDED ENDS | | 3/8 |
| 022302 | AMI-1TT4 EXTENDED ENDS | | 1/2 |
| 031136 | AMI-1TT5 EXTENDED ENDS | | 5/8 |
| 031357 | AMI-1TT7 EXTENDED ENDS | | 7/8 |
| 031578 | AMI-1TT9 EXTENDED ENDS | 1 1/8 | |
| 048800 | AMI-1FM2 | Female Flare x Male Flare | 1/4 |
| 048801 | AMI-1FM3 | | 3/8 |
| 048802 | AMI-1FM4 | | 1/2 |

Moisture Content Color Code (ppm H₂O)

| Indication Liquid Temperature | Dry (Dark Blue) | | | Caution (Purple) | | | Wet (Salmon) | | |
|-------------------------------|-----------------|-------|-------|------------------|-------|-------|--------------|-------|-------|
| | 75°F | 100°F | 125°F | 75°F | 100°F | 125°F | 75°F | 100°F | 125°F |
| R-12 | 1.4 | 2.5 | 4 | 5 | 9 | 15 | 25 | 43 | 70 |
| R-134A | 20 | 35 | 60 | 35 | 55 | 85 | 130 | 160 | 190 |
| R-22 | 25 | 35 | 50 | 40 | 65 | 90 | 145 | 205 | 290 |
| R-407C | 26 | 40 | 64 | 42 | 68 | 109 | 150 | 230 | 370 |
| R-410A | 30 | 55 | 75 | 50 | 85 | 120 | 165 | 290 | 420 |
| R-404A/507 | 15 | 25 | 45 | 33 | 50 | 80 | 120 | 150 | 180 |

Dimensional Data



Dimensional Data (in)

| Description | Connection Size | A | B | C | D | E | F Min. | G | H | J | K | | | | | | | | |
|-------------|-----------------|------|------|------|------|-------|--------|------|------|------|------|------|------|-----|--|------|--|-----|------|
| AMI-1MM2 | 1/4 SAE | 3.13 | 1.56 | 0.34 | 1.19 | | | | | | | | | | | | | | |
| AMI-1MM3 | 3/8 SAE | 3.38 | 1.69 | | | | | | | | | | | | | | | | |
| AMI-1MM4 | 1/2 SAE | 3.63 | 1.81 | | | | | | | | | | | | | | | | |
| AMI-1MM5 | 5/8 SAE | 3.88 | 1.94 | | | | | | | | | | | | | | | | |
| AMI-1FM2 | 1/4 SAE | 2.75 | 1.19 | 0.47 | 1.44 | | | | | | | | | | | | | | |
| AMI-1FM3 | 3/8 SAE | 3.00 | 1.31 | | | | | | | | | | | | | | | | |
| AMI-1FM4 | 1/2 SAE | 3.22 | 1.41 | | | | | | | | | | | | | | | | |
| AMI-1SS2 | 1/4 ODF | 2.25 | 1.13 | | | | | | | | 0.34 | 1.19 | 0.25 | .32 | | | | | |
| AMI-1SS3 | 3/8 ODF | | | 0.38 | .32 | | | | | | | | | | | | | | |
| AMI-1SS4 | 1/2 ODF | | | 0.50 | .38 | | | | | | | | | | | | | | |
| AMI-1SS5 | 5/8 ODF | | | 0.63 | .50 | | | | | | | | | | | | | | |
| AMI-1SS7 | 7/8 ODF | | | 0.88 | .76 | | | | | | | | | | | | | | |
| AMI-1SS9 | 1 1/8 ODF | 3.38 | 1.69 | 0.67 | 1.92 | 1.13 | .90 | | | | | | | | | | | | |
| AMI-1TT2 | 1/4 ODF | 4.89 | | 0.34 | 1.19 | .25 | .32 | | | | | | | | | | | | |
| AMI-1TT3 | 3/8 ODF | | | | | 0.38 | .32 | | | | | | | | | | | | |
| AMI-1TT4 | 1/2 ODF | | | | | 0.50 | .38 | | | | | | | | | | | | |
| AMI-1TT5 | 5/8 ODF | 4.91 | | 0.47 | 1.44 | 0.63 | .50 | | | | | | | | | | | | |
| AMI-1TT7 | 7/8 ODF | 6.36 | | 0.61 | 1.75 | 0.88 | .76 | | | | | | | | | | | | |
| AMI-1TT9 | 1 1/8 ODF | 6.59 | | 0.67 | 1.92 | 1.125 | .90 | | | | | | | | | | | | |
| AMI-2S5 | 5/8 ODM | | | | 1.41 | | | | | | | | | | | 1.16 | | .50 | .625 |
| AMI-2S7 | 7/8 ODM | | | | 1.34 | | | | | | | | | | | 1.09 | | .75 | .875 |
| AMI-2S9 | 1 1/8 ODM | | | | 1.25 | | | 1.00 | | 1.00 | 1.13 | | | | | | | | |
| AMI-2S11 | 1 3/8 ODF | | | | 1.56 | | | 1.31 | 1.38 | | | | | | | | | | |
| AMI-2S13 | 1 5/8 ODF | | | | 1.69 | | | 1.44 | 1.63 | | | | | | | | | | |
| AMI-2S17 | 2 1/8 ODF | | | | 1.94 | | | 1.69 | 2.16 | | | | | | | | | | |

AMI-2 Series Dimensions (in)

| PCN | Description | Connection Size | A Dia. | B | C |
|--------|-------------|-----------------|--------|------|------|
| 064857 | AMI-2S5 | 5/8 ODM | 0.63 | 1.40 | 1.17 |
| 064167 | AMI-2S7 | 7/8 ODM | 0.88 | 1.34 | 1.00 |
| 064168 | AMI-2S9 | 1 1/8 ODM | 1.13 | 1.25 | 1.00 |
| 022303 | AMI-2S11 | 1 3/8 ODM | 1.38 | 1.56 | 1.94 |
| 028388 | AMI-2S13 | 1 5/8 ODM | 1.63 | 1.69 | 1.44 |
| 031219 | AMI-2S17 | 2 1/8 ODM | 2.13 | 1.94 | 1.69 |

